

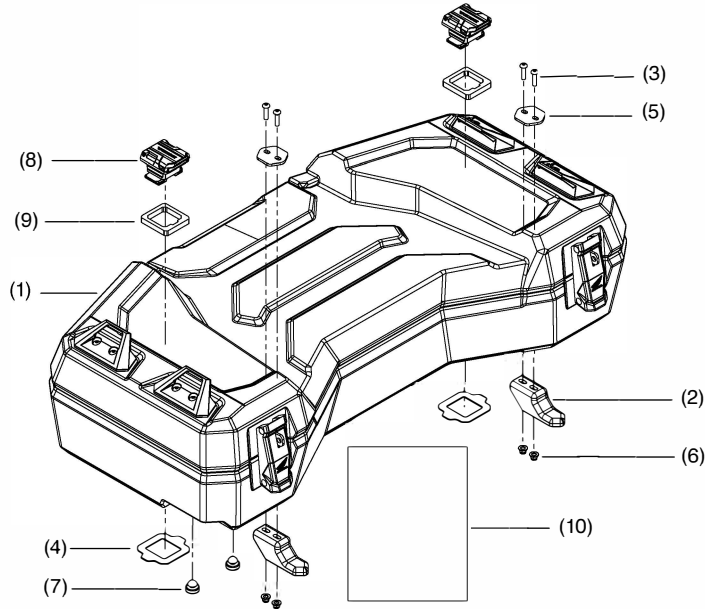


# INSTALLATION INSTRUCTIONS

Accessory <b>FRONT CARGO BOX P/N 0SL53-HR6-A01</b>	Application <b>TRX420 AFTER 2020 TRX520 AFTER 2020 TRX700 2024</b>	Publication No. <b>MII 17151</b>
		Issue Date <b>February 2021</b>

**Honda Dealer: Please give a copy of these instructions to your customer.**

## PARTS LIST



No.	Description	Qty
(1)	Front Cargo Box	1
(2)	Hook	2
(3)	3 x 20 mm Button Head Socket Screw	4
(4)	Snap ring	2
(5)	Bracket	2
(6)	8 mm Flange nylon nut	4
(7)	Rubber Bumper	2
(8)	Honda Pro-Connect™ latch	2
(9)	Rubber Spacer	2
(10)	Installation Instruction URL	1

### NOTE:

- **NEVER** exceed the maximum weight limit printed on the vehicle and in the ATV owner's manual.
- **ALWAYS** secure cargo carried in the cargo box to prevent shifting.
- **Always** make sure the hooks and Pro-Connect™ latches are properly engaged before riding.
- **Please read and follow all instructions and warning supplied with the cargo box and cargo box mount plate.**

**⚠ WARNING:** Overloading this ATV or improperly carrying cargo can affect handling, braking performance and stability and can lead to a crash resulting in **SERIOUS INJURY** or **DEATH**

### TOOLS REQUIRED

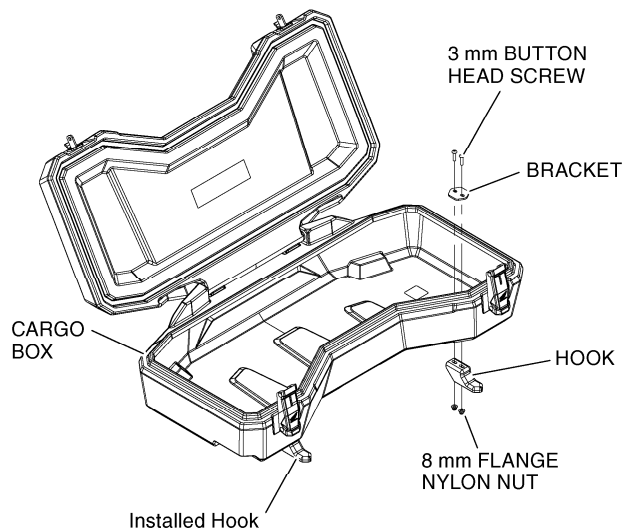
- Ratchet
- Torque wrench
- Hex wrench (3 mm)
- Socket (8 mm)
- Drill (Rancher TRX420 only)
- Drill bit (8 mm) (Rancher TRX420 only)

### TORQUE CHART

Item	N-m	Kfg.m	lbf.in
3 x 20 mm Button Head screw	5	0.51	44

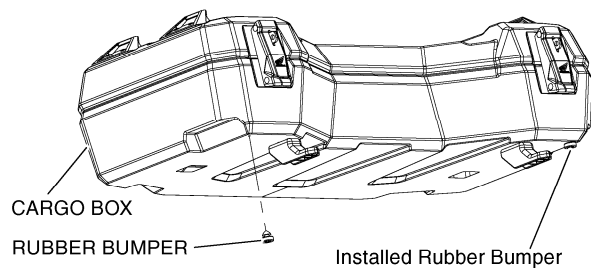
## INSTALLATION

1. Install two hooks from underneath the cargo box using 3 mm button head socket screws, brackets and flange nylon nuts.

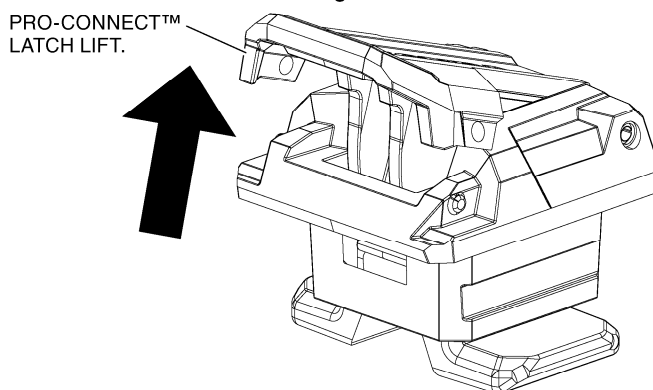


**Note:** (Rancher TRX420 only)

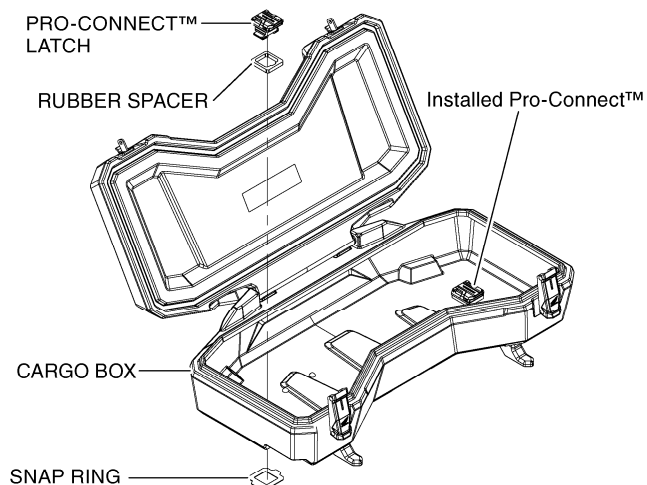
Using a drill and 8 mm drill bit, drill a hole at the drilling marks then install two rubber bumpers from underneath, as shown.



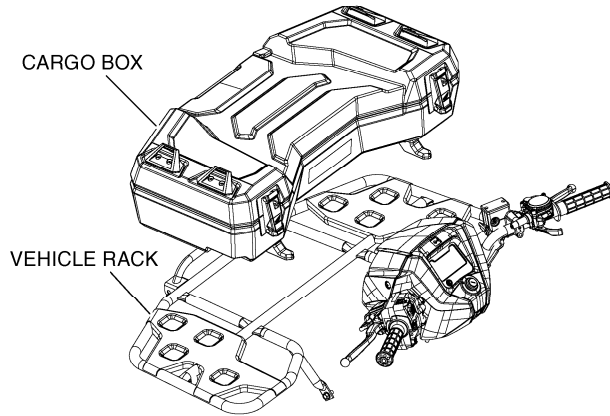
2. Lift the lever on each Pro-Connect™ latch to unlock them and slide the Rubber Spacer around the Pro-Connect™. Insert the Pro-Connect™ and spacer assembly in the cargo box square hole and secure the latches by installing a snap ring onto each latch from underneath the cargo box.



Before and after latch installation on the basket are shown in the picture below.



3. Lift the lever on each latch to unlock them. Place the cargo box onto the front rack of the ATV. Line up each latch with its corresponding hole in the rack then push each latch into its hole.



4. Secure the cargo box to the vehicle by pressing down each Honda Pro-Connect™ latch lever.

